

Zehnder Bay



Stainless steel radiator with a brushed finish. Attractively proportioned with 8 connection possibilities for total flexibility, to suit any installation requirement. Includes option with convector fin (BAYF) for even greater heat output



Accessories: see page 71



Valves: see page 122



Towel bars: see page 71



Stainless Steel STOCK listed in black	Height mm	Width mm	Finish	Number of elements	Output $\Delta T=50K$ Watts/btu All outputs certified to EN 442	Weight kg	RRP (ex VAT)	RRP (inc 23% VAT)
Zehnder Bay Vertical stainless steel (brushed)								
BAY-100-053	1000	530	stainless steel	9	421/1436	15.3		
BAY-120-047	1200	470	stainless steel	8	458/1563	16.0		
BAY-120-053	1200	530	stainless steel	9	516/1761	18.0		
BAY-150-029	1500	290	stainless steel	5	365/1245	12.5		
BAY-170-029	1700	290	stainless steel	5	412/1406	14.0		
BAY-170-047	1700	470	stainless steel	8	659/2249	22.4		
BAY-170-053	1700	530	stainless steel	9	742/2532	25.2		
BAYF-170-029	1700	290	stainless steel	5	520/1774	17.2		
BAYF-170-047	1700	470	stainless steel	8	832/2839	30.4		
BAYF-170-053	1700	530	stainless steel	9	936/3194	34.2		

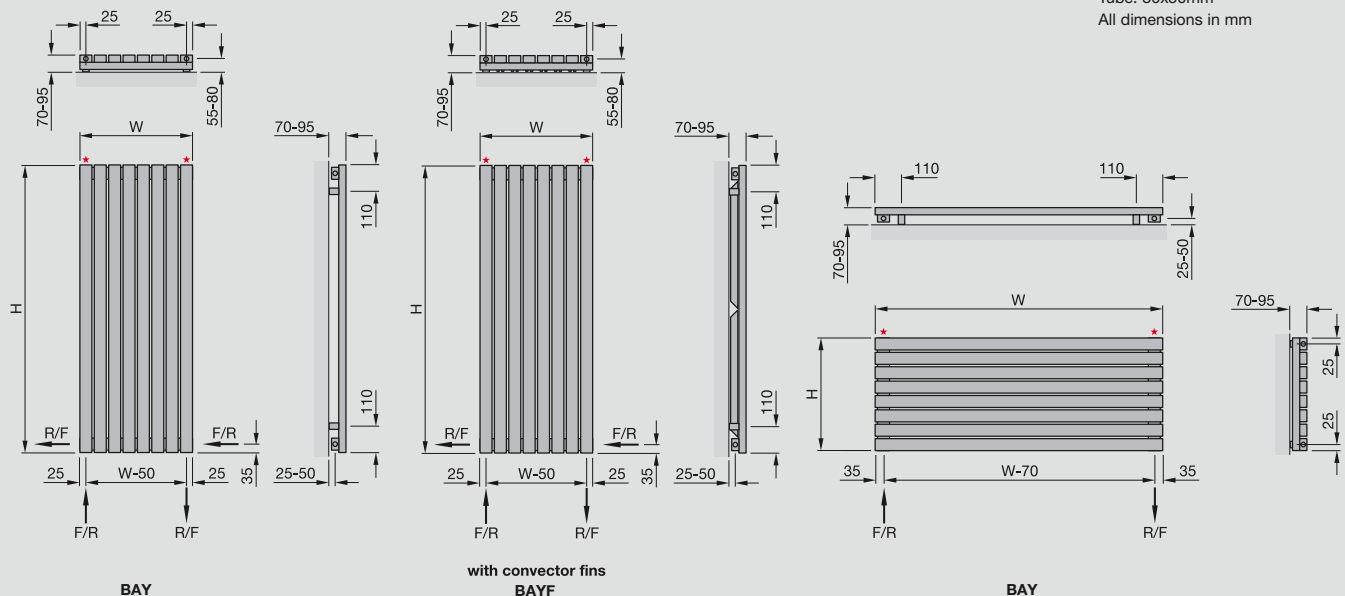
Stainless Steel STOCK listed in black	Height mm	Width mm	Finish	Number of elements	Output $\Delta T=50K$ Watts/btu All outputs certified to EN 442	Weight kg	RRP (ex VAT)	RRP (inc 23% VAT)
Zehnder Bay Horizontal stainless steel (brushed)								
BAY-100-053	530	1000	stainless steel	9	421/1436	15.3		
BAY-120-047	470	1200	stainless steel	8	458/1563	16.0		
BAY-120-053	530	1200	stainless steel	9	516/1761	18.0		
BAY-150-029	290	1500	stainless steel	5	365/1245	12.5		
BAY-170-029	290	1700	stainless steel	5	412/1406	14.0		
BAY-170-047	470	1700	stainless steel	8	659/2249	22.4		
BAY-170-053	530	1700	stainless steel	9	742/2532	25.2		

Accessories

Model		RRP (ex VAT)	RRP (inc 23% VAT)
TPEG-0008	Bay Peg Chrome finish		
TBAR-9517	Bay Towel Bar 290mm Brushed stainless steel finish		
TBAR-9516	Bay Towel Bar 290mm Polished stainless steel finish		

Bay Towel Bar not suitable for use with BAYF models.

*1/2" air vent
Height excludes air vent
F = flow
R = return
H = height
W = width
Tube: 30x50mm
All dimensions in mm



For full compliant technical specifications, refer to page 139
To make an approximate conversion from T=50K to T=60K multiply outputs by 1.2

VERSATILE

Versatile Agencies, Beechmount Homepark, Navan, Co.Meath, Ireland
T +353 46 9029444 | F +353 46 9027705 | E sales@versatile.ie