

# CDPR

Eco pitched roof fans

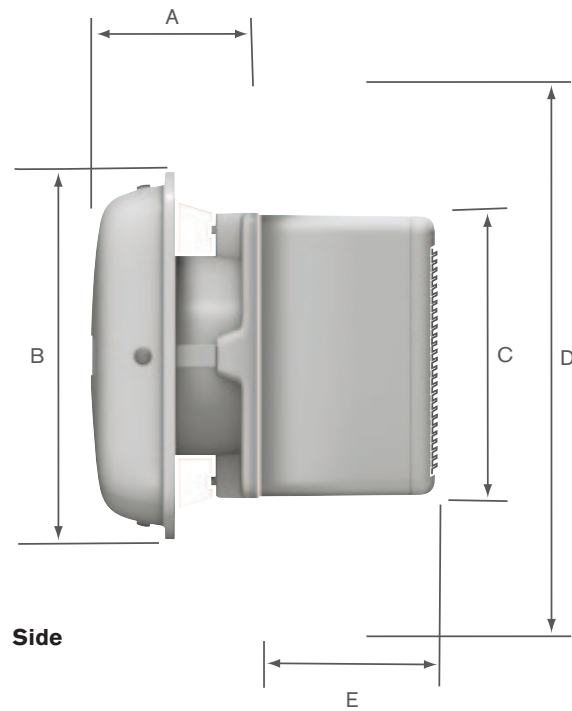


## Physical specification

All measurements in millimetres

**Weight:** CD6PR 4.0 kg  
CD9PR 8.9 kg  
CD12PR 11.8 kg

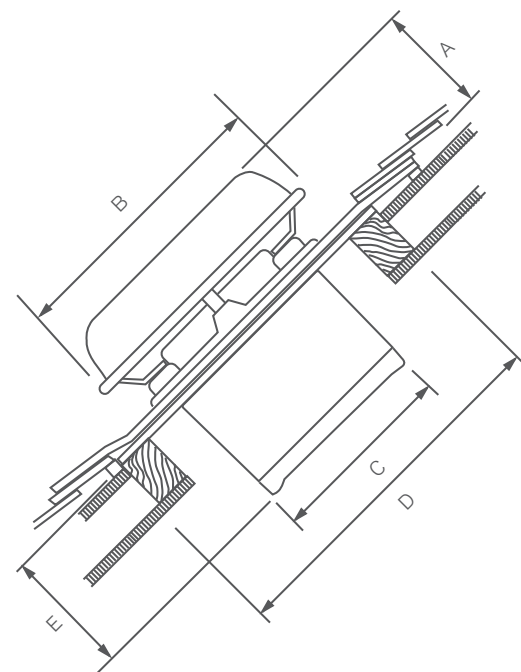
**Materials:** ABS plastic manufacture



Side

	6"	9"	12"
A	170	180	185
B	360	425	506
C	272	342	420
D	400	475	550
E	160	158	167
Trimmed	320	385	450
Opening	x	x	x
Size	320	385	450

Weathering supplied by others.



## Features and benefits

Complete kit designed for ceiling installation.

Picture frame adaptor for retro fit installation.

Fan can be disconnected with ease for replacement.

Thermoactuated backdraught shutters ensures silent operation and positive closure when fan is off.

Choice of controllers, remote and integral sensors.

Kit contains 2 mounting plates, M5 screws and locking nuts.

6", 9" and 12" models available.

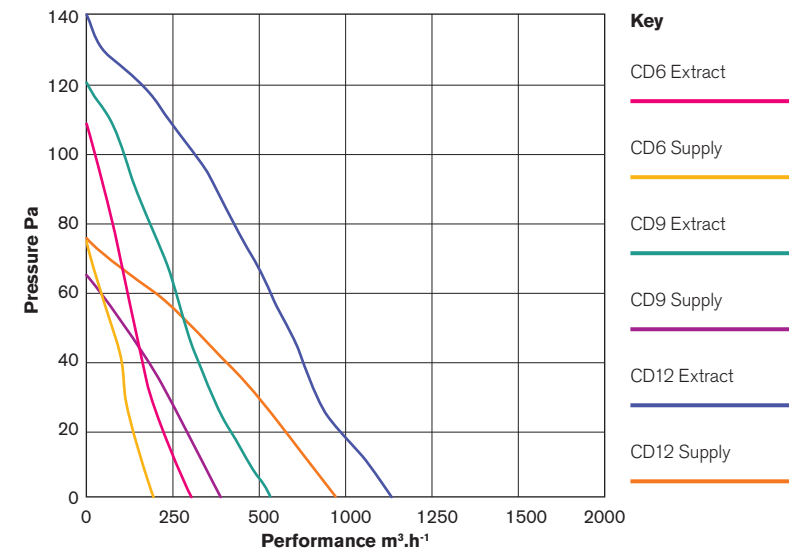
## Models and control options

Model	Control operation
CD6PR	6" pitched roof kit
CD9PR	9" pitched roof kit
CD12PR	12" pitched roof kit
RC4	Switch controller with on/off, forward reverse, variable speed and auto/manual functions

## Performance

Model	Performance to BS 848 Pt1 in free air (m <sup>3</sup> .h <sup>-1</sup> )		Sound pressure level @ 3m dB(A)		Consumption (W)	
	Boost	Eco	Boost	Eco	Boost	Eco
CD6PR	394	202	47	30	38	20
CD9PR	700	597	48	44	50	37
CD12PR	1149	775	48	32	100	70

Note: figures are extract only



## Ancillaries

### Eco switch



**RC4** Remote switch – on/off, forward/reverse, variable speed, eco/boost, auto/manual

### Remote sensor options

**HHR** Remote humidity sensor

**AQR** Remote air quality sensor

**PIRR** Remote PIR sensor

**THR** Remote temperature sensor

**TAR** Remote overrun timer

### Integral sensor options

**HH6/HH9/HH12** Integral humidistat

**AQ6/AQ9/AQ12** Integral air quality sensor

**PIR6/PIR9/PIR12** Integral PIR sensor

**TH6/TH9/TH12** Integral temperature sensor

**TA6/TA9/TA12** Integral overrun timer

**EFR** Extended fixing rods

## Installation

**Wiring:** Must comply with IEE Regulations

**Cable:** 1mm<sup>2</sup> Ø max or min

**Fuse:** 3 amp (when fan is supplied from a 6A lighting circuit no local fuse is required)

**Electrical specification:** 230V-50Hz Class I

**Consumption:** **CD6PR**  
Boost 38W Eco 20 W

**CD9PR**  
Boost 50W Eco 37 W

**CD12PR**  
Boost 100W Eco 70 W