

HEATING | COOLING | VENTILATION

CASSETTE EFFECT EC[®]

Energy-efficient recessed Air Curtain


Versatile
HEATING, COOLING & VENTILATION

Beechmount Home Park, Navan, Co. Meath
Tel: 00 353 46 902 9444 Email: sales@versatile.ie

www.versatile.ie

Type **CassetteEffect EC®** S/M/G

CassetteEffect EC® Standard lengths



A

1.000 mm
1.200 mm
1.500 mm
1.800 mm
2.000 mm
2.400 mm
2.500 mm

CassetteEffect EC®



CassetteEffect EC®

Supplied as standard with LPHW **60/40°C** or electric heating element. Capacities for other temperatures can be calculated on request.

CassetteEffect EC®

The double discharge fins are adjustable in 5 steps:

- vertical
- 10° and 15° directed outwards for **heating (Winter mode)**
- 10° and 15° directed inwards for **airconditioning (Summer mode)**

CassetteEffect EC®

Installation ready air curtain, manufactured out of electro-galvanised, self supporting sheet steel **with invisible screw and sheet connections**. As standard coated with a high quality, RAL9016 powder coating To reduce noise, the housing is lined with sound-insulating material



New

Double discharge fins.
On level with the bottom of the air curtain.
Adjustable in 5 positions.

Installation

The CassetteEffect EC® is specially designed for recessed mounting in a (false) ceiling. Installation friendly mounting strips can be found on top of the air curtain. The placement of the water and electrical connections **on the side of the unit** make it even easier to install and service, since these connections remain accessible. These advantages combined result in a needed space above the ceiling of **only 26cm!**

Inlet

To make it possible to have a combined air inlet from elsewhere in the room, the Cassette Effect EC is provided with removable connections. For an optimal performance the adjustable aluminium discharge fins can be set to determine the perfect outlet direction. The CassetteEffect is **maintenance friendly** due to the filterless inlet grille made out of finely perforated steel, with a free suction area of 68%.

Long lifespan

A long lifespan is guaranteed by the seperately driven and vibration-free balanced radial fans, with built in thermal safety, equipped with maintenance friendly bearings.

High efficiency

To achieve a high efficiency of the heattransfer at low temperature water systems, the 60/40°C heat exchanger is made out of 3 rows of copper pipe (2 rows for 80/60°C) with formed aluminium fins. Electric heating elements (400VAC, 50Hz) are equipped with multiple overheat protections.

A CassetteEffect EC® air curtain works.

LSA, pleasantly different.

Thermostatic 3-way valve

A considerable amount of energy can be saved when an optional thermostatic 3-way valve is connected. With the outblow temperature set to the desired value, the valve will automatically reduce the waterflow according to the set fan speed. A 3-way valve will be supplied seperately. A pre-mounted bracket inside of the air curtain assures easy installation.

CassetteEffect EC®

There's a reason we call all of our LSA air curtains **Effect®** !

Technische data **CassetteEffect EC®**

Type	Air volume m³/h	Heating capacity LPHW 60/40°C ≈ Δ 15°C kW **	Water resistance LPHW 60/40°C kPa	Water connections Internal thread"	Heating capacity electric 400 V kW	Electric connections fans			Sound pressure level min/max dB(A)*	Weight kg
						Volt 50 Hz	Nominal power kW	A		

CassetteEffect EC® S recommended mounting height (bottom of the air curtain) max. 2,20 meters above floor

S 1000 P / 1200 P	1200	8,73	5,67	2 x 3/4"	-	230	0,27	1,89	43/57	46
S 1500 P / 1800 P	1800	11,97	7,11	2 x 3/4"	-	230	0,45	2,79	44/58	100
S 2000 P	2400	18,72	7,02	2 x 3/4"	-	230	0,54	3,69	44/59	106
S 2500 P / 2400 P	3000	21,69	5,22	2 x 3/4"	-	230	0,72	4,62	45/60	130
S 1000 E / 1200 E	1200	-	-	-	3/6/9	230	0,27	1,89	43/57	44
S 1500 E / 1800 E	1800	-	-	-	4/8/12	230	0,45	2,79	44/58	100
S 2000 E	2400	-	-	-	6/12/18	230	0,54	3,69	44/59	106
S 2500 E / 2400 E	3000	-	-	-	6/12/18	230	0,72	4,62	45/60	130

CassetteEffect EC® M recommended mounting height (bottom of the air curtain) max. 2,50 meters above floor

M 1000 P / 1200 P	1816	9,70	6,30	2 x 3/4"	-	230	0,30	2,10	44/58	46
M 1500 P / 1800 P	2724	13,30	7,90	2 x 3/4"	-	230	0,50	3,10	44/59	100
M 2000 P	3632	20,80	7,80	2 x 3/4"	-	230	0,60	4,10	45/60	108
M 2500 P / 2400 P	4540	24,10	5,80	2 x 3/4"	-	230	0,80	5,13	46/61	130
M 1000 E / 1200 E	1816	-	-	-	3/6/9	230	0,30	2,10	44/58	44
M 1500 E / 1800 E	2724	-	-	-	4/8/12	230	0,50	3,10	44/59	100
M 2000 E	3632	-	-	-	6/12/18	230	0,60	4,10	45/60	108
M 2500 E / 2400 E	4540	-	-	-	6/12/18	230	0,80	5,13	46/61	130

CassetteEffect EC® G recommended mounting height (bottom of the air curtain) max. 2,80-3,00 meters above floor

G 1000 P / 1200 P	2724	10,80	7,80	2 x 3/4"	-	230	0,50	3,10	45/60	46
G 1500 P / 1800 P	3632	18,10	14,40	2 x 3/4"	-	230	0,60	4,10	46/61	100
G 2000 P	5448	26,10	12,20	2 x 3/4"	-	230	0,90	6,15	47/62	110
G 2500 P / 2400 P	6356	32,60	10,30	2 x 3/4"	-	230	1,10	7,20	47/63	130
G 1000 E / 1200 E	2724	-	-	-	5/10/15	230	0,50	3,10	45/60	44
G 1500 E / 1800 E	3632	-	-	-	7,5/15/22,5	230	0,60	4,10	46/61	100
G 2000 E	5448	-	-	-	10/20/30	230	0,90	6,15	47/62	110
G 2500 E / 2400 E	6356	-	-	-	10,7/21,4/32	230	1,10	7,20	47/63	130

* Measured at 3m distance. * CassetteEffect GX/GXX EC on request.

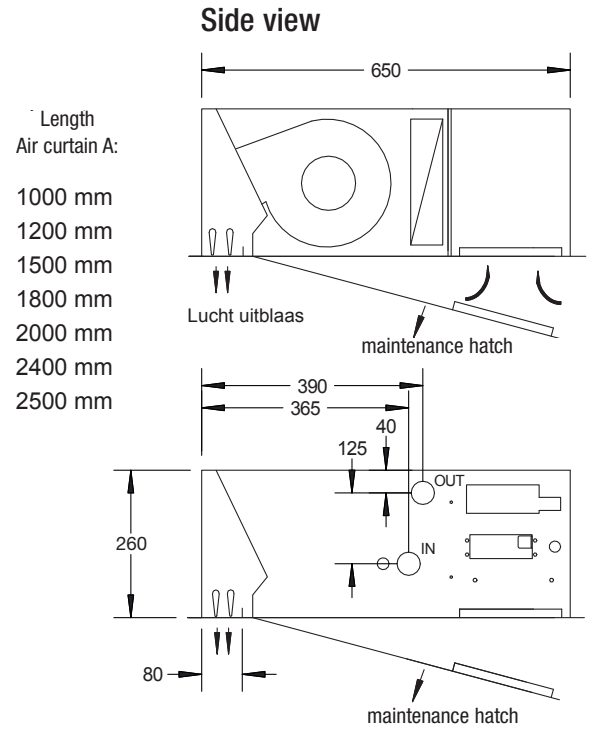
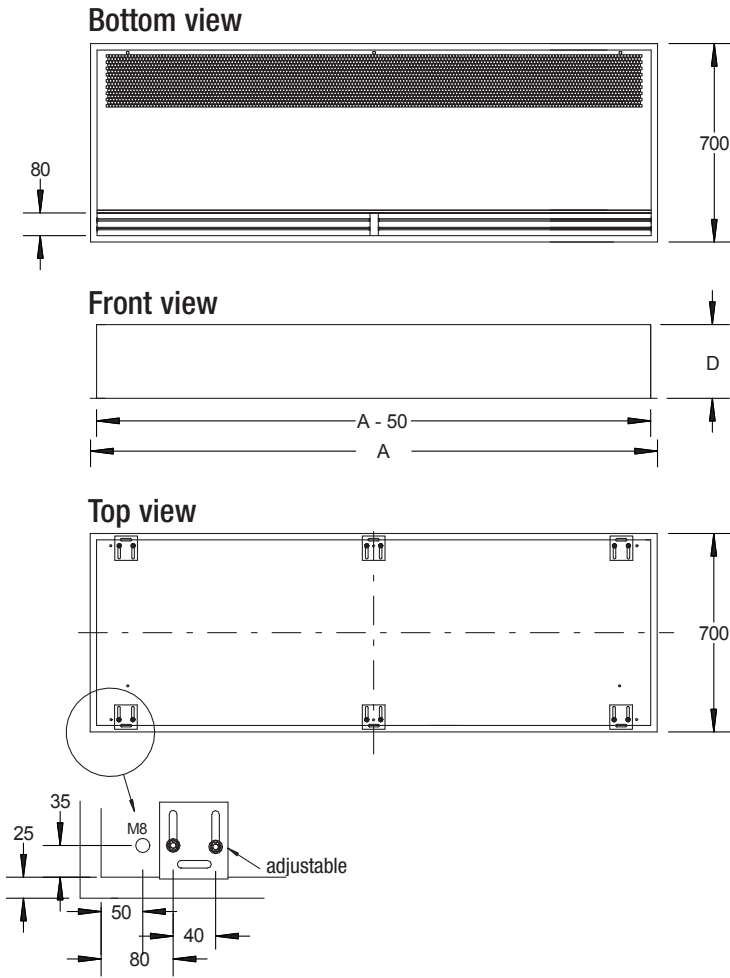
Subject to technical modifications.

** LSA air curtains supplied for LPHW 60/40°C (supply/return water temperature). Air inlet temperature +20°C. It's no longer needed to supply the air curtain with 80°C or even 90°C to achieve sufficient heating capacity. Whether it's pre- mid- or post season, an LSA air curtain works.



An electronic GTM control unit (5+0 steps) with 20m preassembled and shielded data cable is included as standard. For units with LPHW heating, a GTM-I AC/EC is supplied, for units with electrical heating it's the GTM-I-E AC/EC. The GTM-I AC/EC 5 includes the ability to switch from summer mode to winter mode as standard. A solenoid valve or circulation pump of up to 2,5A can be connected. With the GTM-I control unit the airflow can be set manually in 5 stages. The GTM-I-E AC/EC control unit also has the option to manually set the heating capacity, depending on the fan level, in 3 stages. Both control units have a potential free contact for enabling the air curtain via any on-site building management system. Up to 10 units can be connected in parallel.

Technical drawings **CassetteEffect EC®**



Correction Factors

> Energy Saving

Versatile advocate the use of low water temperature for energy saving. Our standard outputs are based on flow and return of 60/40.

**** LSA air curtains are supplied for a warm water supply with a temperature of 60°C and a return temperature of 40°C, inlet temperature +20°C. It is not necessary to supply the air curtain with other heat exchangers. See conversion table for other water temperature supplies and example below.**

T° Water °C	T°air		
	+15°C	+18°C	+20°C
100/80	2.77	2.65	2.56
90/70	2.38	2.25	2.17
80/60	1.98	1.86	1.78
70/50	1.58	1.46	1.38
60/40	1.20	1.08	1.00
55/35	1.00	0.89	0.80

> Example

The Effect M 2000 P60/40 gives 20.8kW with an air inlet temperature of 20°C. If the system gives water temperatures of 90°/70°C then the factor is 2.17. The capacity will become $2.17 \times 20.8 = 45.14\text{kW}$.



Overview different installations



Frico BV

Van Leeuwenhoekstraat 2, 3846 CB Harderwijk, The Netherlands

T +31 (0)341-439100 F +31 (0)341-439190

E info@fricobv.nl | www.frico.se/en/