

versatile

Fire sleeves

Fire sleeves for ductwork passing through fire compartment walls

Product data sheet



Fire sleeves

Fire sleeves help to prevent the spread of fire where plastic ductwork penetrate fire compartment walls.

They consist of a continuous pressed steel shell containing a high performance graphite based intumescent material which reacts under the influence of heat to exert pressure on the plastic vent duct as it softens to form a carbonaceous char which provides an effective insulation plug thus preventing fire passing through to the adjoining compartment.

They should be used where a plastic duct penetrates a fire rated wall.

The project fire consultant should review the test data to ensure compliance for the types of wall being used.

Key Features

- CE Marked
- Tested to [BS EN 1366-3](#) and classified according to [EN 13501-2](#)
- Tested with Uncapped / Uncapped (U/U) duct configurations as required for ventilation ducts
- Up to 2 hour fire rating
- Suitable for masonry walls or plasterboard partitions
- Suitable for insulated and non-insulated partitions
- Can be retrofitted
- No mechanical fixings required
- Robust galvanised steel shell
- Performance unaffected by weathering (Type X Durability)
- Can be installed as a cluster with multiple ducts

Article Numbers

Description	Product Code
Sleeves	
Fire sleeve ø 75mm, horizontal mounting, 140mm length	FIRO75.140H
Fire sleeve ø 90mm, horizontal mounting, 140mm length	FIRO90.140H
Fire sleeve ø 100mm, horizontal mounting, 180mm length	FIRO100.180H
Fire sleeve ø 125mm, horizontal mounting, 180mm length	FIRO125.180H
Fire sleeve 204 x 60mm, horizontal mounting, 180mm length	FIROGD8.180H
Fire sleeve 220 x 90mm, horizontal mounting, 140mm Length	FIROGD9.140H

Fire sleeve ø 75mm, horizontal mounting, 140mm length

Article number: FIRO75.140H

Description

Fire sleeve:

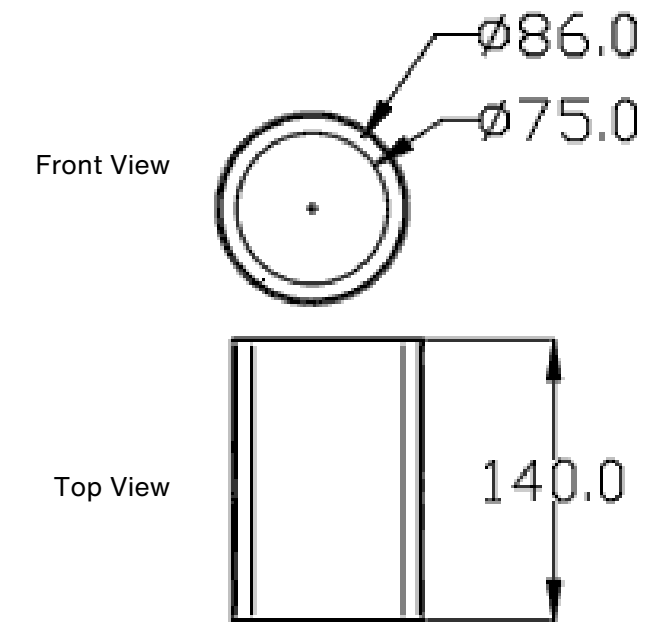
Fire Sleeves prevent the spread of fire where semi-rigid vent ducts penetrate fire compartment walls.

Technical Specification

Length	140 mm
Duct Size	75 mm
Recommended hole diameter	90 mm
Approx. space needed around duct to fit sleeve	8 mm
Weight	0.32 kg
Material	Pressed stainless steel / intumescent material
CE Marked	Yes
Fire Tested to BS EN 1366-3 standard	Up to 120 minute fire rating



Dimensions



Fire Test Lab	Duct Type	Report Number	Construction	Fire rating
Warrington Fire	PE Corrugated Duct	WF Test Report 412164	Semi rigid PE corrugated duct penetrating a flexible wall minimum 70mm wide stud and minimum 2no. Layers of 15mm Gypsum boards in accordance with EN 520 or Calcium Silicate boards which are CE Marked based on an ETA on both sides of the stud.	Up to 120 min

Fire sleeve ø 90mm, horizontal mounting, 140mm length

Article number: FIRO90.140H

Description

Fire sleeve:

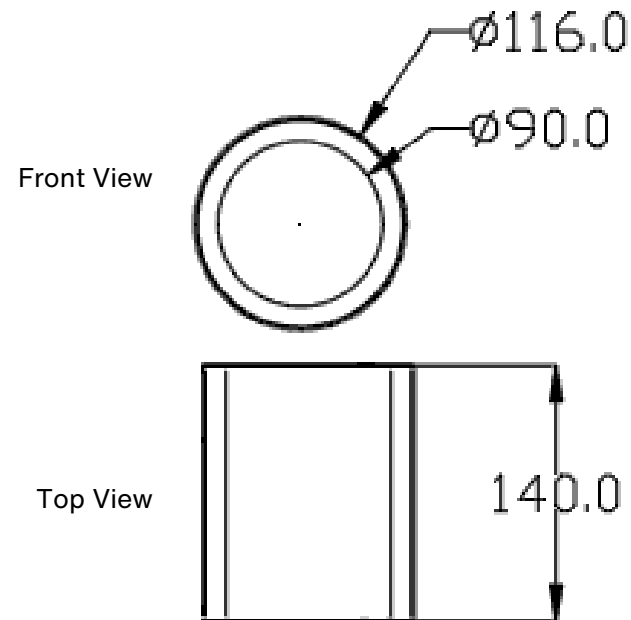
Fire Sleeves prevent the spread of fire where semi-rigid vent ducts penetrate fire compartment walls.

Technical Specification

Length	140 mm
Duct Size	90 mm
Recommended hole diameter	116 mm
Approx. space needed around duct to fit sleeve	13 mm
Weight	0.57 kg
Material	Pressed stainless steel / intumescent material
CE Marked	No
Fire Tested to BS EN 1366-3 standard	Up to 120 minute fire rating



Dimensions



Fire Test Lab	Duct Type	Report Number	Construction	Fire rating
Warrington Fire	PE Corrugated Duct	WF Test Report 412164	Semi rigid PE corrugated duct penetrating a flexible wall minimum 70mm wide stud and minimum 2no. Layers of 15mm Gypsum boards in accordance with EN 520 or Calcium Silicate boards which are CE Marked based on an ETA on both sides of the stud.	Up to 120 min

Fire sleeve ø 100mm, horizontal mounting, 180mm length

Article number: FIRO100.180H

Description

Fire sleeve:

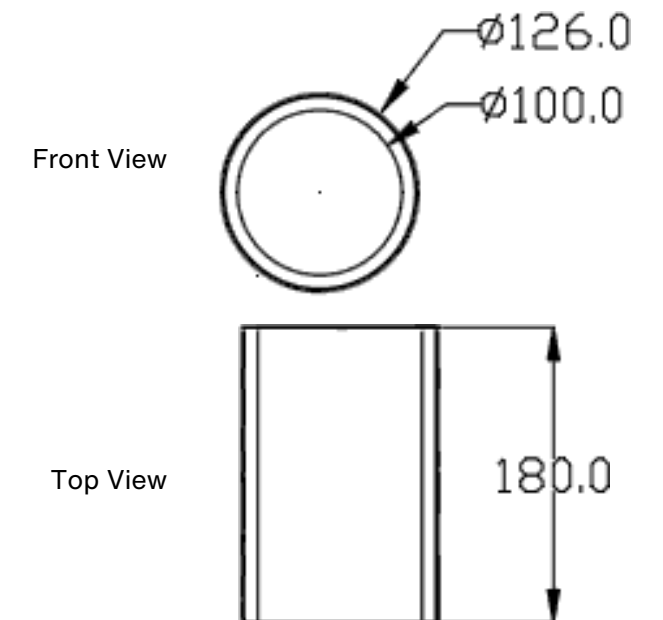
Fire Sleeves prevent the spread of fire where plastic vent ducts penetrate fire compartment walls.

Technical Specification

Length	180 mm
Duct Size	100 mm
Recommended hole diameter	135 mm
Approx. space needed around duct to fit sleeve	18 mm
Weight	0.72 kg
Material	Pressed stainless steel / intumescent material
CE Marked	No
Fire Tested to BS EN 1366-3 standard	Up to 120 minute fire rating



Dimensions



Fire Test Lab	Duct Type	Report Number	Construction	Fire rating
Warrington Fire	U-PVC with 1.5mm wall thickness	WF Test Report 412164	Plastic Duct penetrating a flexible wall minimum 70mm wide stud and minimum 2no. Layers of 15mm Gypsum boards in accordance with EN 520 or Calcium Silicate boards which are CE Marked based on an ETA on both sides of the stud.	Up to 120 min

Fire sleeve ø 125mm, horizontal mounting, 180mm length

Article number: FIRO125.180H

Description

Fire sleeve:

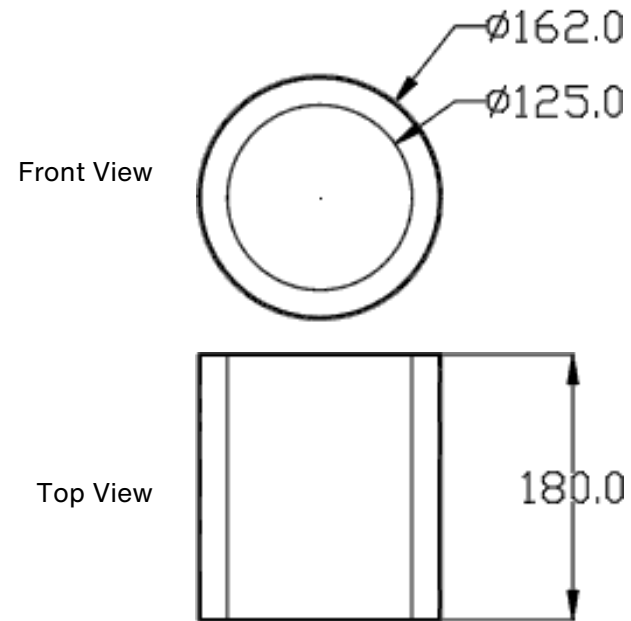
Fire Sleeves prevent the spread of fire where plastic vent ducts penetrate fire compartment walls.

Technical Specification

Length	180 mm
Duct Size	125 mm
Recommended hole diameter	170 mm
Approx. space needed around duct to fit sleeve	23 mm
Weight	1.28 kg
Material	Pressed stainless steel / intumescent material
CE Marked	No
Fire Tested to BS EN 1366 - Up to 90 minute fire rating	3 standard



Dimensions



Fire Test Lab	Duct Type	Report Number	Construction	Fire rating
Warrington Fire	U-PVC with 1.5mm wall thickness	WF Test Report 360281/C Issue 3, Page 16	Plastic Duct penetrating a flexible wall minimum 50mm wide stud and minimum 1no. Layers of 12.5mm Gypsum boards in accordance with EN 520 or Calcium Silicate boards which are CE Marked based on an ETA on both sides of the stud.	Up to 60 min
		BM Trada Test report BMT/FEI/F13139	Plastic Duct penetrating a flexible wall minimum 50mm wide stud and minimum 2no. layer of 12.5mm Gypsum boards in accordance with EN 520 or Calcium Silicate boards which are CE Marked based on an ETA on both sides of the stud.	Up to 90 min

Fire sleeve 204 x 60mm, horizontal mounting, 180mm length

Article number: FIROGD8.180H

Description

Fire sleeve:

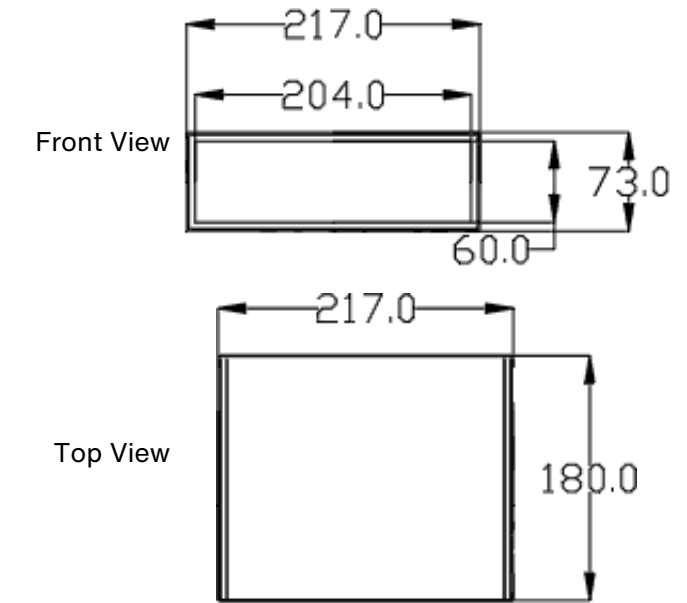
Fire Sleeves prevent the spread of fire where plastic vent ducts penetrate fire compartment walls.

Technical Specification

Length	180 mm
Duct Size	205 x 60 mm
Recommended aperture size	230 x 85 mm
Approx. space needed around duct to fit sleeve	13 mm
Weight	0.97 kg
Material	Pressed stainless steel / intumescent material
CE Marked	Yes
Fire Tested to BS EN 1366 - Up to 120 minute fire rating	3 standard



Dimensions



Fire Test Lab	Duct Type	Report Number	Construction	Fire rating
Warrington Fire	U-PVC with 1.5mm wall thickness	WF Test Report 360281/C Issue 3, Page 15	Plastic Duct penetrating a flexible wall minimum 70mm wide stud and minimum 2no. Layers of 15mm Gypsum boards in accordance with EN 520 or Calcium Silicate boards which are CE Marked based on an ETA on both sides of the stud.	Up to 120 min
		WF Test Report 438146/R	Plastic Duct penetrating a flexible wall (Insulated or Uninsulated) minimum 50mm wide stud and minimum 2no. layer of 12.5mm Gypsum boards in accordance with EN 520 or Calcium Silicate boards which are CE Marked based on an ETA on both sides of the stud.	Up to 120 min

Fire sleeve 220 x 90mm, horizontal mounting, 140mm Length

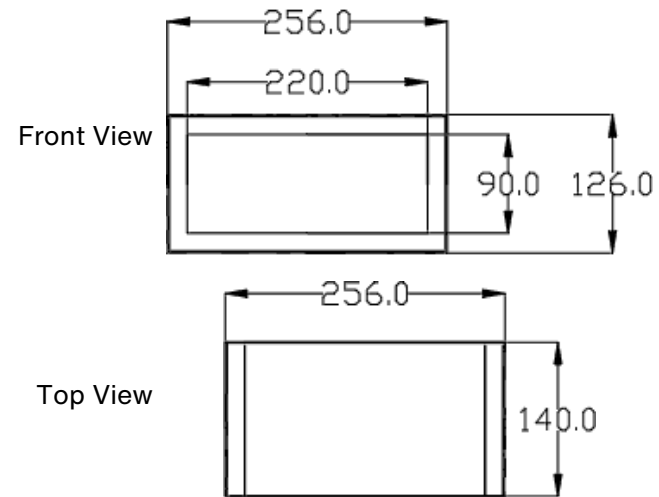
Article number: FIROGD9.140H

Description**Fire sleeve:**

Fire Sleeves prevent the spread of fire where plastic vent ducts penetrate fire compartment walls.

Technical Specification

Length	140 mm
Duct Size	220 x 90 mm
Recommended aperture size	262 x 132 mm
Approx. space needed around duct to fit sleeve	22 mm
Weight	1.9 kg
Material	Pressed stainless steel / intumescent material
CE Marked	Yes
Fire Tested to BS EN 1366-3 standard	Up to 120 minute fire rating

**Dimensions**

Fire Test Lab	Duct Type	Report Number	Construction	Fire rating
Warrington Fire	U-PVC with 1.5mm wall thickness	WF Test Report 360281/C Issue 3, Page 15	Plastic Duct penetrating a flexible wall minimum 70mm wide stud and minimum 2no. Layers of 15mm Gypsum boards in accordance with EN 520 or Calcium Silicate boards which are CE Marked based on an ETA on both sides of the stud.	Up to 120 min
		WF Test Report 438146/R	Plastic Duct penetrating a flexible wall (Insulated or Uninsulated) minimum 50mm wide stud and minimum 2no. layer of 12.5mm Gypsum boards in accordance with EN 520 or Calcium Silicate boards which are CE Marked based on an ETA on both sides of the stud.	Up to 120 min

BIM/CAD Components

If you would like to download the BIM / CAD files for this or any other of our products then please visit our BIM library.

[TO VISIT OUR BIM/CAD LIBRARY](#)

[CLICK HERE](#)

Installation Instructions

If you would like to download the installation files for this or any other of our products then please visit our download page by clicking the link below.

[TO VISIT OUR DOWNLOAD PAGE](#)

[CLICK HERE](#)

versatile

Beechmount Home Park, Navan, Co. Meath, C15 WR60
 Email: info@versatile.ie
 Phone: +353 (0)46 9029444